

powerswitch®

# Stainless Steel Disconnect Switches

Slope Top 30/32 A, Non-Fused

Flat Top 30/32 A, 60 A, 80 A, 100 A, Non-Fused

## Durable Construction.

- Overmold handle provides firm grip in wet environments
- Type 304 stainless steel resists corrosion, heat and abuse

## Easy Installation.

- Removable door and captive screws make installation and servicing simple and quick

## Sanitary Design.

- 3/4" standoff from mounting surface allows for easy cleaning
- NSF Certified and IP69K rated



Designed to meet hygiene requirements in food processing



HI-TEMP • HI-PRESSURE  
**IP69K**  
WASHDOWN

Protects against the most extreme washdown procedures



30/32 A  
slope top  
versions push  
water & debris  
AWAY from  
door & handle!

# powerswitch®

## Stainless Steel Disconnect Switches

Slope Top 30/32 A, Non-Fused

Flat Top 30/32 A, 60 A, 80 A, 100 A, Non-Fused

### Additional Features

- Watertight, submersible and dust-tight enclosures rated to IP66, IP67, IP68, IP69K, and UL 50E Type 3R, 4X, 12 and 13
- ON/OFF marking stamped into enclosure door for clear identification
- Door features captive, triple-head screws
- Handle with high visibility red and yellow made of UV stable material that resists fading and degradation outdoors
- Soft grip handle accommodates three padlocks to meet OSHA 1910.147 lockout/tagout requirements



### Ordering Information

Disconnect Switches in Stainless Steel Enclosures	Catalog Number
30/32 A Slope Top	MDS3-ST
30/32 A Slope Top with Auxiliary Contact, Normally Opened	MDS3-AST
30/32 A	MDS3-AX
30/32 A with Auxiliary Contact, Normally Opened	MDS3-AC
60 A	MDS6-AX

Disconnect Switches in Stainless Steel Enclosures	Catalog Number
60 A with Auxiliary Contact, Normally Opened	MDS6-AC
80 A	MDS8-AX
80 A with Auxiliary Contact, Normally Opened	MDS8-AC
100 A	MDS1-AX
100 A with Auxiliary Contact, Normally Opened	MDS1-AC

### Accessories

Description	Catalog Number
Non-Fused Auxiliary Contact, Normally Closed, 30/32 A, 60 A, 80 A	AUXNC-NF
Non-Fused Auxiliary Contact, Early Break, 100 A	AUXNO-NF1
Auxiliary Contact, Normally Opened, 30/32 A, 60 A, 80 A	AUXNO
30/32 A Replacement Non-Fused Switch	30ASW
60 A, 80 A Replacement Non-Fused Switch	6080A-NF
100 A Replacement Non-Fused Switch	100SW-NF

Description	Catalog Number
Watertight Conduit Hub, Die-Cast Zinc, 3/4"	HUB-34
Watertight Conduit Hub, Die-Cast Zinc, 1"	HUB-100
Watertight Conduit Hub, Die-Cast Zinc, 1 1/4"	HUB-114
Watertight Conduit Hub, Die-Cast Zinc, 1 1/2"	HUB-112
Watertight Conduit Hub, Die-Cast Zinc, 2"	HUB-200
Watertight Conduit Hub, Stainless Steel, 3/4"	SSHUB
Replacement Overmold Handle	HNDLE

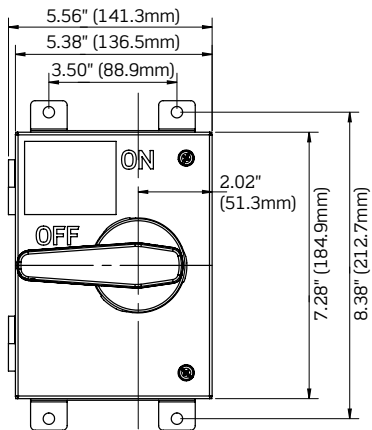
## Specifications

Catalog Number	MDS3-AX, MDS3-AC, MDS3-ST & MDS3-AST	MDS6-AX & MDS6-AC	MDS8-AX & MDS8-AC	MDS1-AX & MDS1-AC	
<b>Electrical Specifications</b>					
Amperage	30 A/32 A	60 A	80 A	100 A	
Max. Operating Voltage	600 V	600 V	600 V	600 V	
Max. Horsepower Rating	SINGLE PHASE	120 VAC; 2 hp	120 VAC; 2 hp	120 VAC; 2 hp	120 VAC; 7.5 hp
		208 to 240 VAC; 5 hp	208 to 240 VAC; 10 hp	208 to 240 VAC; 10 hp	220 to 240 V AC; 20 hp
		480 VAC; 5 hp	480 VAC; 20 hp	480 VAC; 20 hp	277 V; 25 hp
		600 VAC; 5 hp	600 VAC; 20 hp	600 VAC; 20 hp	440 to 480 VAC; 30 hp
	THREE PHASE	—	—	—	550 to 600 VAC; 30 hp
		208 to 240 VAC; 10 hp	208 to 240 VAC; 20 hp	208 to 240 VAC; 20 hp	110 to 120 VAC; 15 hp
		480 VAC; 20 hp	480 VAC; 40 hp	480 VAC; 40 hp	220 to 240 VAC; 40 hp
	600 VAC; 25 hp	600 VAC; 40 hp	600 VAC; 40 hp	440 to 480 VAC; 60 hp	
	—	—	—	550 to 600 VAC; 50 hp	
Current Interrupting	Certified for full-rated current and voltage				
Dielectric Voltage	1,000 V plus twice rated voltage for 1 minute				
Minimum Electrical Endurance	6,000 operation cycles at rated current and voltage				
Mechanical Endurance	20,000 Operations (10,000 Operation Cycles)				
Short Circuit Current Rating (SCCR)	Suitable for use on a circuit capable of delivering not more than 10 kA RMS symmetrical amperes, 600 VAC max., when protected by 60 A, class J fuses	Suitable for use on a circuit capable of delivering not more than 100 kA RMS symmetrical amperes, 600 VAC max., when protected by 100 A, class J or T fuses	Suitable for use on a circuit capable of delivering not more than 100 kA RMS symmetrical amperes, 600 VAC max., when protected by 100 A, class J or T fuses	Suitable for use on a circuit capable of delivering not more than 65 kA RMS symmetrical amperes, 600 VAC max., when protected by 100 A, class J fuses	
<b>Environmental Specifications</b>					
Operating Temperature*	-40°C to 75°C				
UV Resistance	Exposed materials are UV stabilized				
Water/Moisture Resistance	NEMA /UL 50E Type 3R, 4X, 12, 13 • IP66, IP67, and IP68 • IP69K (per ISO 20653)				
<b>Material Specifications</b>					
Enclosure	16 Gauge Type 304 Stainless Steel				
Handle	Base: PBT • Overmold: TPE				
Enclosure Screws	Stainless Steel				
Enclosure Gasket	Polyurethane Formed-In-Place-Foam Gasket (FIPFG), UL 50E Approved				
Mounting Feet	14 Gauge Type 304 Stainless Steel				
<b>Mechanical Specifications</b>					
Terminal Identification	In accordance with UL and international conventions				
Product Identification	Identification and ratings are a part of internal and external label				
Terminal Accommodation	#14 - #8 AWG	#14 - #4 AWG	#14 - #4 AWG	#8 - #1/0 AWG	
<b>Standards &amp; Certifications</b>					
NSF	14159-1 Hygenic Requirement for the Design of Meat & Poultry Processing Equipment				
NEMA	NEMA 250				
UL	cULus Listed to UL 60947-4-1 (supersedes UL 508) and CSA-C22.2 No. 60947-4-1	cULus Listed to UL 60947-4-1 (supersedes UL 508) and CSA-C22.2 No. 60947-4-1	cULus Listed to UL 60947-4-1 (supersedes UL 508) and CSA-C22.2 No. 60947-4-1	cULus Listed to UL 60947-4-1 (supersedes UL 508), UL 98 and CSA-C22.2 No. 60947-4-1	
NOM	NOM-ANCE Certified				
IEC	IEC 60529				
ISO	ISO 20653				
CE	CE Marked – Low Voltage Directive (LVD) 2014/35/EU				
<b>Warranty</b>					
Product Warranty	3 Year Limited Warranty				

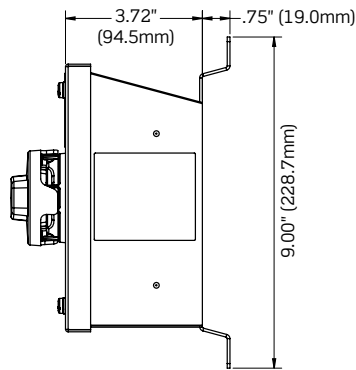
\* Derating may apply

## Dimensions

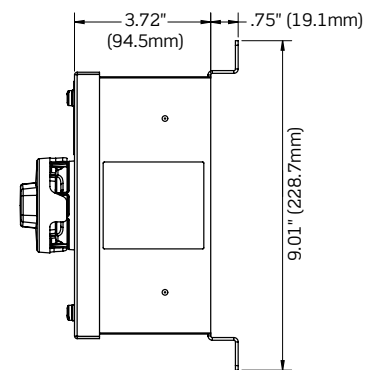
### MDS3-ST, MDS3-AST, MDS3-AX & MDS3-AC



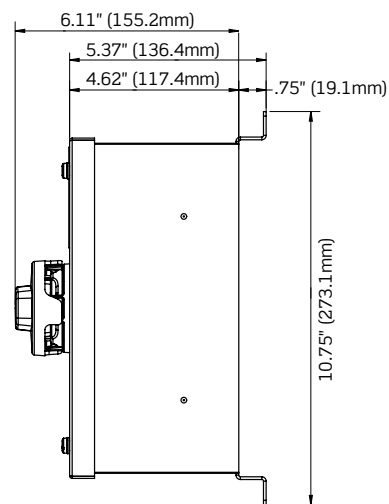
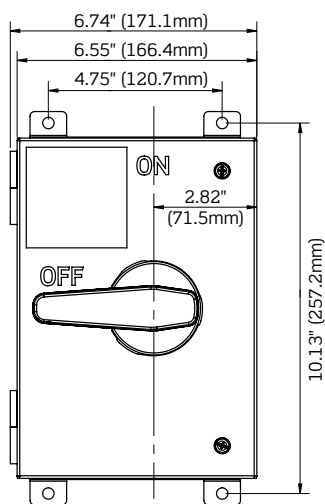
### Side View (15° Slope top) MDS3-ST & MDS3-AST



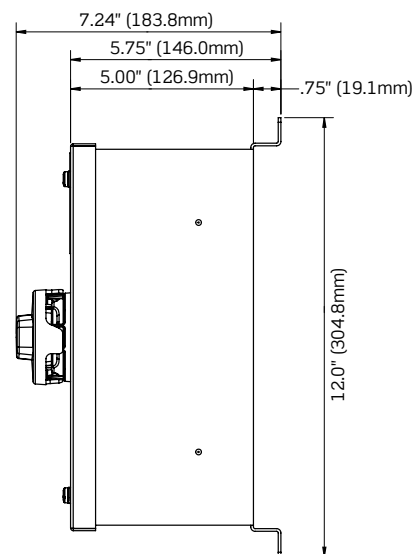
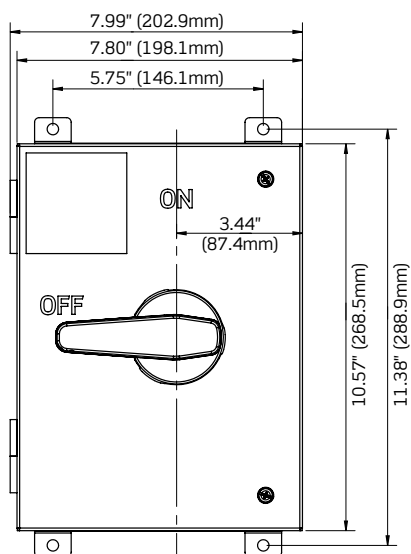
### Side View (Flat top) MDS3-AX & MDS3-AC



### MDS6-AX, MDS6-AC, MDS8-AX & MDS8-AC



### MDS1-AX & MDS1-AC



Visit our Website at:  
[www.leviton.com/powerswitch](http://www.leviton.com/powerswitch)  
email: [industrial@leviton.com](mailto:industrial@leviton.com)

Q-1048C

Leviton Manufacturing Co., Inc.

201 N Service Rd, Melville, NY 11747

Telephone: 1-800-323-8920 • FAX: 1-800-832-9538

Tech Line: 1-800-824-3005 (M-F 8AM-10PM; Sat 9AM-7PM; Sun 9AM-5PM)

© 2020 Leviton Manufacturing Co., Inc. All rights reserved.

082720

