

M Series

Surge Protective Device

Ideal for **POINT-OF-ENTRY** or **MAIN SERVICE ENTRANCE INSTALLATIONS**, the M series offers greater protection in a wide variety of voltage configurations.

Features

- Maximum Surge Current Rating 130kA per Mode, 260kA per Phase
- UL 1449 Listed
- EMI/RFI Filtering
- NEMA 4
- Low Voltage Protection Ratings
- 20kA Nominal Discharge Current Rating (I_n)
- 200kA SCCR



Product Specifications

General Specifications	
Maximum Surge Current Rating	130kA per Mode, 260kA per Phase
UL 1449 Type Designation	Type 2
UL 1449 Nominal Discharge Current Rating (I_n)	20kA
UL 1449 Short Circuit Current Rating (SCCR)	200kA
Design Specifications	
Custom MOV design for High Energy Handling in IEEE Category C locations	
Thermally Protected MOVs	
External Parallel Connected for Mounting next to Electrical Gear	
Multi-mode protection	
Diagnostic & Status Monitoring Specifications	
Phase Loss Monitoring	
Audible Alarm	
Form C Dry Contacts, 240V, 2A	
LED Protection Status Monitoring	
GRM (Ground Reference Monitoring), N-G voltage > 20V detected	
Enclosure	
Polycarbonate	
NEMA 4	
3/4 inch straight conduit fitting; 3/4 inch conduit to 3/4 inch male NPT adapter fitting included	
Filtering	
Yes, UL 1283	

Physical Specifications	
Humidity Range	0-95% non-condensing
Operating Frequency	50-60Hz
Operating Temperature	-40°F (-40°C) to 185°F (+85°C)
Typical Connection	#10 AWG Type TEW

UL 1449 Performance Data						
System Voltage	Voltage Protection Rating (VPR)				Maximum Continuous Operating Voltage (MCOV)	
	L-N	L-G	N-G	L-L		
120/240 VAC/CA SPLIT PHASE	700V	800V	600V	1200V	180V/360V*	
208Y/120 VAC/CA 3 PHASE WYE	600V	700V	600V	1000V	150V/300V*	
480Y/277 VAC/CA 3 PHASE WYE	1200V	1200V	1000V	2000V	350V/700V*	
240 VAC/CA 3 PHASE DELTA	-	900V	-	1800V	275V	
600Y/347 VAC/CA, 3 PHASE WYE	1500V	1500V	1500V	2500V	440V/880V*	
480 VAC/CA 3 PHASE DELTA	-	1800V	-	1800V	550V	
600 VAC/CA 3 PHASE DELTA	-	2000V	-	2000V	680V	

*Second voltage refers to L-L rating

Standards Compliance & Certifications

UL 1449 5th Edition: 2021, cULus, (UL File: VZCA.E317603), UL 96A Compliant, ANSI/IEEE C62.41.1-2002, C62.41.2-2002, C62.45-2002, NEC Article 285
ISO 9001:2014 Quality Management System, ISO 17025:2007 Laboratory Certification (UL DAP Program) Compliance with RoHS, REACH & California Prop 65
100% Quality Tested prior to shipping, Country of Origin: Greece

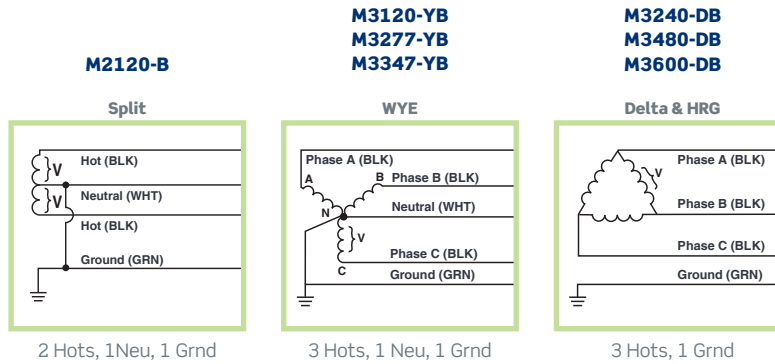
Ordering Information

M2120-B	120/240 VAC/CA, SPLIT PHASE
M3120-YB	208Y/120 VAC/CA, THREE PHASE WYE
M3277-YB	480Y/277 VAC/CA, THREE PHASE WYE
M3240-DB	240 VAC/CA, THREE PHASE DELTA
M3347-YB	600Y/347 VAC/CA, THREE PHASE WYE
M3480-DB	480 VAC/CA, THREE PHASE DELTA
M3600-DB	600 VAC/CA, THREE PHASE DELTA

Accessories for Flush Mount Applications

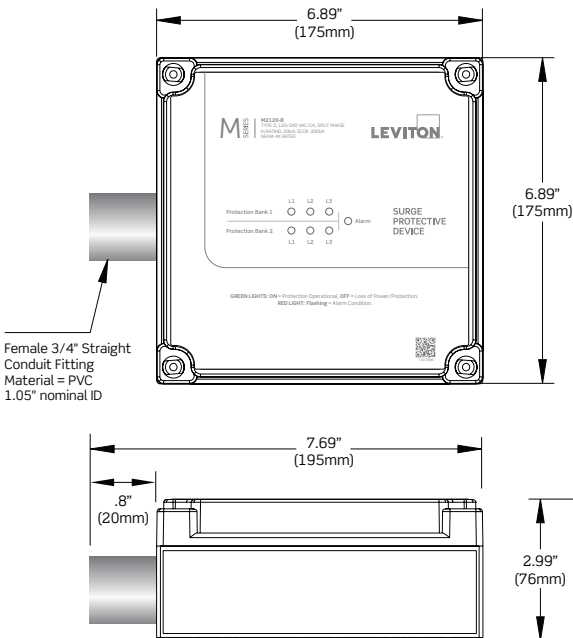
MSURG-FLG	M SERIES FLUSH MOUNT FLANGE - ALUMINUM
-----------	--

Wiring Configurations



Architectural Drawings (Dimensions)

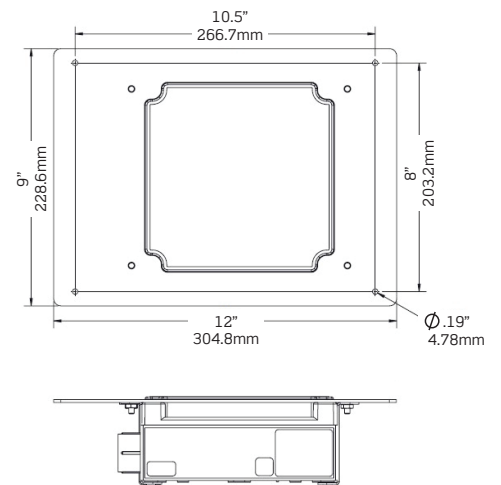
M SERIES



Size and Mechanical Specifications

Dimensions	7.69" x 2.99" x 6.89"
Enclosure Type	Polycarbonate NEMA 4
Installation Type	Indoor / Outdoor

FLUSH MOUNT FLANGE



Visit our Website at:
www.leviton.com/surge
 email: commercial@leviton.com

Q-1506

Leviton Manufacturing Co., Inc.
 201 N Service Rd, Melville, NY 11747
 Telephone: 1-800-323-8920 • FAX: 1-800-832-9538
 Tech Line: 1-800-824-3005 (M-F 8AM-10PM; Sat 9AM-7PM; Sun 9AM-5PM)

© 2024 Leviton Manufacturing Co., Inc. All rights reserved.

052924

