

GreenMAX® DRC 0-10V Smart Pack



Description

The GreenMAX® DRC 0-10V Smart Pack enables switching and 0-10V dimming control of a single zone of fixtures, allowing for a distributed control solution. Used to control multiple fixtures in a zone or for plug load control solutions, the DRC uses distributed relays, which eliminates the need to run wires back to a cabinet. This distributed system architecture saves on installation and equipment costs. DRC relays can be used as a normal or emergency relay; a remote relay with the GreenMAX DRC system; or as a single room control relay with the Sapphire™ Touch Screen.

System Description

The GreenMAX DRC Room Control System offers a fully distributed room control system, with each room operating independently of others—no dependence on network processors or centralized controllers. This revolutionary system is fully configurable via the GreenMAX DRC app for smart devices, and can be used to comply with IECC, ASHRAE 90.1, and 2022 Title 24, Part 6 occupancy/vacancy sensing, multi-level lighting, daylight harvesting, partial-ON, partial-OFF, scheduling, exterior lighting, demand response and receptacle control requirements, and it is listed on the Listed on the DesignLights Consortium® (DLC) Qualified Product List (QPL).

GreenMAX DRC App

Wirelessly commission, configure, control, monitor and provision the GreenMAX DRC system using the GreenMAX DRC App designed for any WiFi-enabled Android or iOS smart device.

Applications

- Single channel LumaCAN 0-10V relay
- Distributed controls
- GreenMAX DRC remote relay
- GreenMAX remote relay
- Direct load control from Sapphire™

Use With These Leviton Systems

- GreenMAX DRC
- GreenMAX relay panels
- Sapphire Touchscreen

Leviton Manufacturing Co., Inc. Lighting & Controls

10385 SW Avery Street, Tualatin, OR 97062 **tel** 800-736-6682 **tech line** (6:00AM-4:00PM PT Mon-Fri) 800-959-6004
©2024 Leviton Manufacturing Co., Inc. All rights reserved. Subject to change without notice.

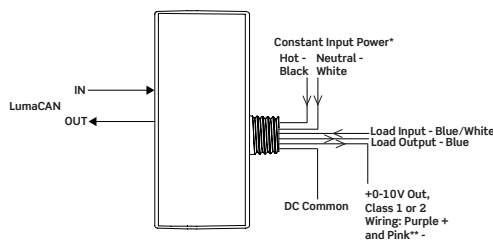
Features

- Single channel device—(1) 0-10V output plus (1) relay
- Plug load controls
- UL924 Emergency
- Listed on the DesignLights Consortium® (DLC) Qualified Product List (QPL)
- Utilizes Leviton High Inrush Stability (H.I.S.) circuitry for increased reliability
- Connects via the LumaCAN network using RJ45 connectors and CAT6 wiring
- 0-10V control can be Class 1 or Class 2 wiring
- Used for both switching only loads and dimming loads controllable with a 0-10V control signal
- All relay models are latching to reduce parasitic energy waste over NO/NC relays
- UL2043 Plenum rated—for use in Chicago Plenum applications—see technical article

Install Notes

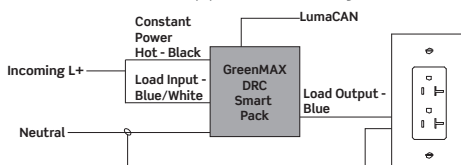
- Installs as 4" square electrical box cover or via 1/2" nipple
- When Class 2 in conduit is required, use 4" square extension ring and blank cover on low voltage side
- May be field-painted to match surroundings (requires 4S blank cover to protect Class 2 side)

Wiring Diagram



*Can be used to monitor normal power on emergency circuits, see solution sheet for details.
**Depending on manufacture date, pink wire may be gray.

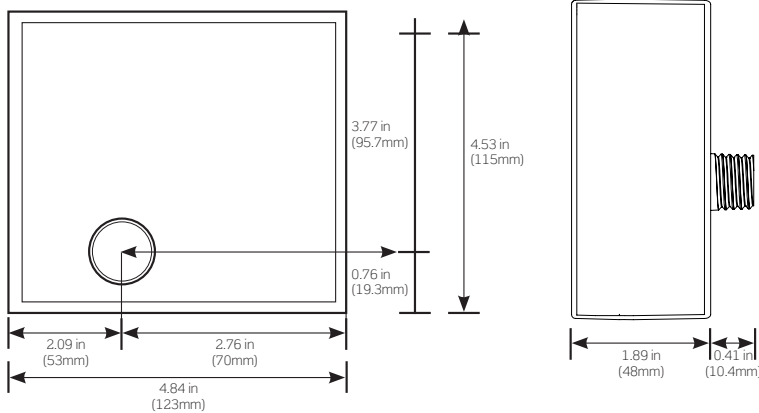
For 120-277VAC applications only:



Product Data

DRD07-Exx

Dimensions Diagram



Specifications

Electrical	120-277VAC (DRD07-ED0, DRD07-EDN)	347VAC (DRD07-E30)
Input Voltage	120-277VAC, 50/60 Hz, 20A Max	347VAC, 60 HZ, 12A Max
Supported Loads	20A Tungsten; 20A Standard Ballast; 16A Electronic Ballast, LED Drivers; 20A General Purpose/Plug Load Control; Motor: 1/2 HP, 9.8 FLA @ 120V AC; 2HP, 12 FLA @ 240-277V AC	12A Electronic Ballast & LED
Connectivity		
Network Connections	(2) RJ45, CAT6 or better for connection to LumaCAN network; Termination provided via local termination switch	
Network Topology	Daisy chain, 1600' max between repeaters Home-run topology and network length up to 10,000' can be achieved when using LumaCAN network repeaters (NPRPT) Maximum 110 nodes between repeaters Maximum 250 nodes on a LumaCAN network	
Environmental		
IP Rating	IP20	
Operating Temperature	23° to 122°F (-5° to 50°C)	
Storage Temperature	4° to 185°F (-20° to 85°C)	
Ambient Humidity	0-90% non-condensing	
Other		
Listings	UL, cUL (File # E148771), plenum rated (UL2043), emergency bypass (UL924), Listed on the DesignLights Consortium® (DLC) Qualified Product List (QPL)	
Energy Codes	Can be used to comply with IECC, ASHRAE 90.1, and 2022 Title 24, Part 6 occupancy/vacancy sensing, multi-level lighting, daylight harvesting, partial-ON, partial-OFF, scheduling, exterior lighting, demand response and receptacle control requirements	
Warranty	5-Year	

Ordering Information

GreenMAX DRC Smart Packs	
Cat. No.	Description
DRD07-ED0	GreenMAX DRC Smart Pack, 0-10V, 120-277VAC, 50/60Hz 20A max, 100mA sink current
DRD07-E30	GreenMAX DRC Smart Pack, 0-10V, 347VAC, 60Hz 12A max, 100mA sink current
DRD07-EDN	GreenMAX DRC Smart Pack with metrology, 0-10V, 120-277VAC, 50/60Hz, 20A Max. Suitable for NON-Emergency use ONLY (No-UL924 rating), relay remain at current state on power loss. 100mA Sink Current.

Leviton Manufacturing Co., Inc. Lighting & Controls

10385 SW Avery Street, Tualatin, OR 97062 tel 800-736-6682 tech line (6:00AM-4:00PM PT Mon-Fri) 800-959-6004

Visit our Website at: www.leviton.com/greenmaxdrc

©2024 Leviton Manufacturing Co., Inc. All rights reserved. Subject to change without notice.

G-9664F/F24-aa
REV JUN 2024