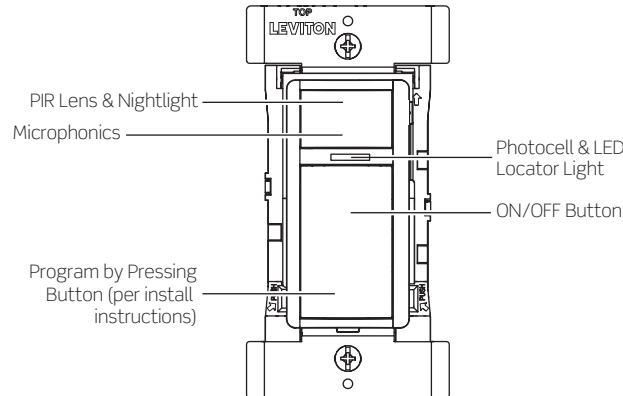


Smart Multi-Tech Wallbox Sensor



Description

The Leviton Smart 0-10V Wallbox Sensor (ODSMT-MDx) uses Passive Infrared (PIR) detection and Microphonics technology to monitor a room for occupancy. The PIR sensor uses a specialized segmented and tamper resistant lens that divides the field-of-view into sensor zones. When a person passes in or out of a sensor zone, the sensor detects motion and switches the lights ON. The lights will remain ON as long as an occupant moves through the sensor zones and will turn off when space becomes vacant and after the timeout expires. ODSMT also utilizes Microphonic technology that “listens” for human activity in the space and will keep the lights ON when motion is detected. Microphonics does not require a direct line of sight and can pick up human activity behind obstructions that PIR-only devices are unable to detect. The ODSMT features a vacancy mode for manual-ON/auto-OFF operation, ideal for installations where manual-ON switching is required for energy code applications.

A “minor motion” zone detects small body movements. This detection allows the lights to remain ON when individuals in the space are more stationary. The “major motion” zone exhibits a lesser degree of sensitivity requiring larger movements.

Configuration of the ODSMT is made using the Leviton Smart Sensor App from a smartphone or other Bluetooth®-enabled Android or iOS device. Simple configuration can also be applied using pushbutton setup for several popular pre-configured options. The ODSMT integrates a photocell for daylighting hold-OFF which can be programmed using the Leviton Smart Sensor App.

Applications

- Office
- Small Lobbies
- Meeting Rooms
- Bathrooms/Restrooms
- Conference Rooms

Features

- Can be used to comply with ASHRAE 90.1, IECC and 2022 Title 24, Part 6 occupancy/vacancy sensing, switching, and manual-ON/auto-OFF requirements
- Fits in a standard wallbox and gangable with other units
- Use the Leviton Push to Pair (P2P) process to create a multi-way system for up to 5 devices
- Controls General Purpose plug loads up to 20A and LED lighting loads up to 10A
- One relay module for single-level switching
- 180° field-of-view provides approximately 1,100 square feet of coverage
- Latest PIR technology accurately detects minor motion up to 400sq ft and major motion up to 1,100 sq ft
- Maximum sensing distance in front of the sensor is 30-40 feet and 15-20 feet on either side
- Microphonics technology able to detect minor human activity and does not require direct line-of-sight
- Integrated photocell for daylighting hold-OFF
- Tamper resistant PIR lens
- Antimicrobial treated faceplate and wallplate available
- Advanced configuration can be performed using the Leviton Smart Sensor App on any Bluetooth-enabled Android or iOS device:
 - Set the operating mode for Occupancy (Auto-ON/Auto-OFF) or Vacancy (manual-ON/auto-OFF)
 - Adjust sensitivity and timeouts
 - Enable the integrated photocell for daylighting hold-OFF and select target daylighting hold-OFF levels
 - Create custom templates for easy multi-room replication of sensor settings
 - Activate the nightlight and select nightlight color
 - Set a security code to lock configuration settings
- Out-of-the-box configuration default mode:
 - Auto-ON/Auto-OFF with 20-minute timeout
 - Sensitivity set to 75%
 - Nightlight and daylighting disabled

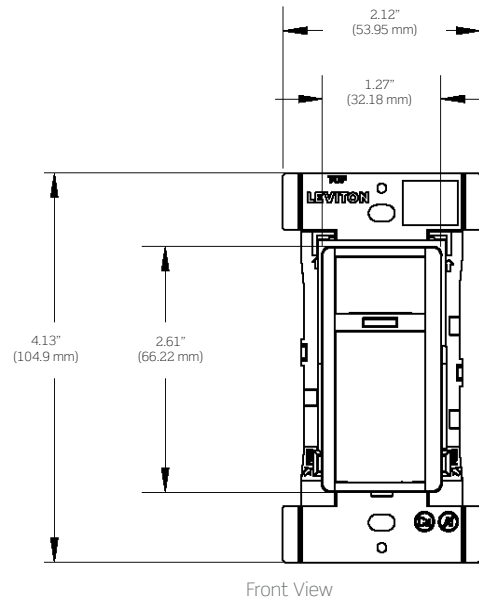
Features (continued)

- Convenient pushbutton hold configuration for installers without a smart device*:

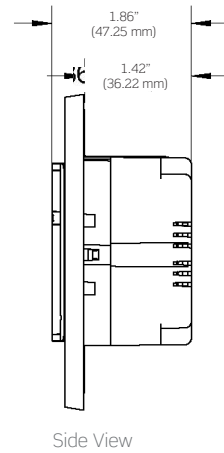
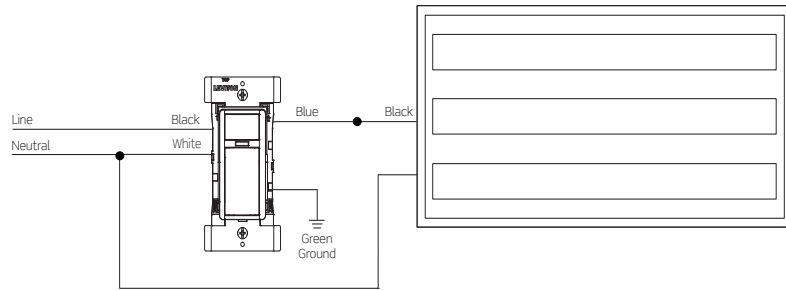
Pushbutton Hold Configuration				
Button (#)	Operating Mode	PIR Sensitivity (%)	Microphonics Sensitivity (%)	Time Out (mins)
1	Auto-ON/ Auto-OFF	75	75	20
2			10	
3			OFF	20
4		50		
5		75		
6		100	100	
7	Manual-ON/ Auto-OFF	75	75	10
8			OFF	20
9			50	
10		75		
11		100	75	
12		100	100	

*Requires removal of front face cover

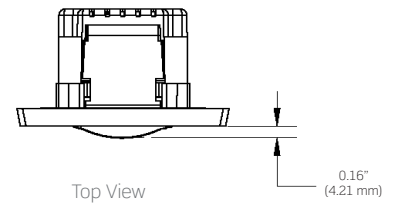
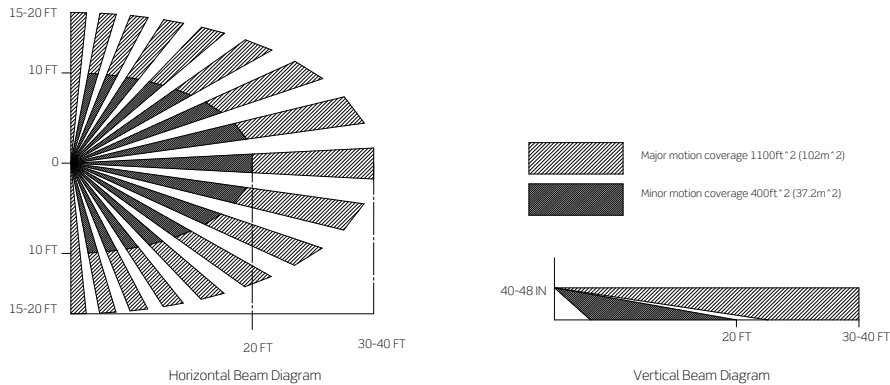
Dimensions Diagrams



Wiring Diagram—ODSMT-MDx



Field of View Diagram



Specifications

Electrical	
Input Voltage/Frequency	
120-277VAC	50/60Hz
120VAC	60Hz
Input Current	
120V	Standby: 0.2W; Max: 0.5W+Load Current
277V	Standby: 0.3W; Max: 0.6W+Load Current
Load Ratings	
General Purpose @ 120V	20A
General Purpose @ 277V*	
LED/Electronic Ballast @ 120V	10A
LED/Electronic Ballast @ 277V*	
Standard Ballast @ 120V	
Standard Ballast @ 277V	
Tungsten @ 120V	6.67A
Tungsten @ 277V	
Motor @ 120V	1/4HP (FLA 5.8A)
Motor @ 277V	1/3HP (FLA 3.0A)
IP Rating	IP20
Network Connections	BLE 4.2, BLE 5.0
Environmental	
Operating Temperature	32 to 104°F (0 to 40°C)
Storage Temperature	-40 to 185°F (-40 to 85°C)
Physical	
Dimensions	4.13" x 2.12" x 1.86" (104.90mm x 53.95mm x 47.25mm)
Other	
Energy Codes	Can be used to comply with ASHRAE 90.1, IECC and 2022 Title 24, Part 6 occupancy/vacancy sensing, and manual-ON/auto-OFF requirements
Listings	IECC, UL and cUL listed; JIS Z 2801:2000
Certifications	FCC, ICC
Warranty	Limited five-year warranty

Ordering Information

Smart Wallbox Sensors	
Cat. No.	Description
ODSMT-MDW	Smart Multi-Tech Wallbox Sensor, App configurable; Auto-ON/Auto-OFF or manual-ON/auto-OFF, neutral wire required, 120-277VAC, 50/60Hz; White
ODSMT-MDI	Smart Multi-Tech Wallbox Sensor, App configurable; Auto-ON/Auto-OFF or manual-ON/auto-OFF, neutral wire required, 120-277VAC, 50/60Hz; Ivory
ODSKT-00E	Smart Switching Wallbox Sensor Color Change Kit, Black
ODSKT-00R	Smart Switching Wallbox Sensor Color Change Kit, Red
ODSKT-00G	Smart Switching Wallbox Sensor Color Change Kit, Gray
ODSKT-00I	Smart Switching Wallbox Sensor Color Change Kit, Ivory
ODSKT-00T	Smart Switching Wallbox Sensor Color Change Kit, Light Almond
ODSKT-00W	Smart Switching Wallbox Sensor Color Change Kit, White

Note: Wallplate sold separately.

Leviton Manufacturing Co., Inc. Lighting & Controls

10385 SW Avery St, Tualatin, OR 97062 **tel** 800-736-6682 **tech line** (6:00AM-4:00PM PT Mon-Fri) 800-959-6004

Leviton Manufacturing Co., Inc. Global Headquarters

201 North Service Road, Melville, NY 11747-3138 **tel** 800-323-8920 **tech line** (8:00AM-10:00PM ET Mon-Fri, 9:00AM-7:00PM ET Sat, 9:00AM-5:00PM ET Sun) 800-824-3005

Visit our Website at: www.leviton.com/smartsensors

©2024 Leviton Manufacturing Co., Inc. All rights reserved. Subject to change without notice.