

# Sapphire™ Room Controller

## Customizable lighting, color tuning and scheduling



### Description

Sapphire™ Room Controller provides the flexibility of a fully customizable user interface with the convenience of native controls from Leviton's Commercial Systems products. Integrate room controls, including occupancy/vacancy sensing, partial-ON and partial-OFF from one elegant interface. Sapphire Room Control is Leviton's premier touch screen offering occupancy/photocell sensing, full-range automatic dimming, color tuning and daylighting integration. The scheduler feature allows facility and building managers to schedule holidays and daily lighting schedules from the touch screen.

### Applications

- Color tuning—0-10V, DMX (requires interface hardware)
- Conference room control
- Building supervisor control panel
- Classroom control
- Executive office control
- Ballroom control
- Anywhere touch-interface is desired

### Features

- 7" capacitive LCD touch screen
- Supports Sapphire User Interface (UI) components and commands
- Supports Sapphire Scheduler
- Supports Sapphire Room Controls
- LumaCAN and analog input connectivity
- Analog input supports photocell, occupancy, and momentary/maintained switch
- Secure password protection administration access
- Offline UI configuration through Sapphire Studio PC Tool
- All software is updated through a front-panel USB memory stick
- Available faceplates—White, Light Almond, & Black

### Sapphire User Interface Components & Commands

- All UI elements are updated from live network status
- Uses tabs for organization of UI elements into pages
  - Each tab has a custom name
  - Each tab can offer secured access with a PIN
- Buttons
  - Button operating modes
    - Toggle
    - Press/release
    - Preset group
  - Configurable caption
  - All network commands supported
- Sliders
  - Configurable caption
  - Supports only set channel/group level commands
  - Configurable numeric level display
- Network Commands
  - Administrative functions
    - Network setup
    - Log file import/export
    - Configuration update
    - Snapshot record
    - Snapshot edit
  - Set channel and group level
  - Fade stop
  - Fade rate or fade time
  - Raise/lower
  - Turn audio zone ON/OFF (Hi-Fi)
  - Set audio zone level (Hi-Fi)
  - Select audio zone source (Hi-Fi)
  - Select video source (Switcher/Scaler)
  - Projector ON/OFF (BC4)
- Sapphire is listed on the DesignLights Consortium® (DLC) Qualified Product List (QPL) when used as part of a GreenMAX DRC System

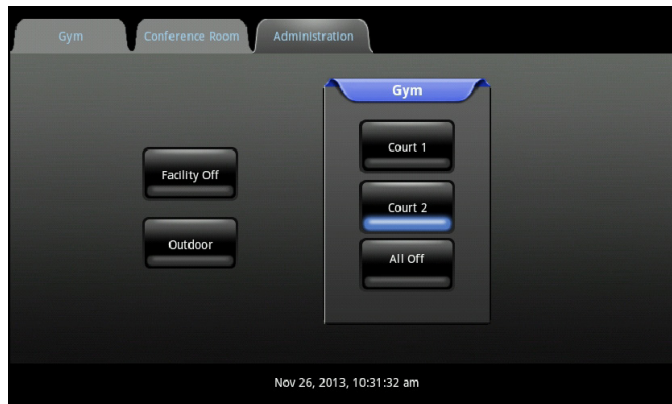


## Room Controls

- Room controls run independent of UI
- (2) low voltage/analog inputs for connecting of occupancy sensors, photocells, etc.
- Receives input signals for automatic dimming and daylighting within the space
- Single zone occupancy
- Single zone closed loop daylight harvesting
- 8 unique buttons (may be spread across multiple stations)
- All ON through AI, configurable priority

## Sapphire User Interface Screenshots

### Buttons and Sliders



### Buttons and Sliders



### Buttons and Sliders



## Scheduler

- Scheduler runs independent of UI
- 7-day scheduler
- (2) custom, user defined holiday exception calendars
- Astronomical time clock
- Special event calendar

### Scheduler—Daily

A screenshot of the Scheduler—Daily view showing a weekly schedule for May 6, 2016. The interface has a 'Daily View' tab and a 'Weekly' tab. The schedule is displayed in a table format with time slots from 5AM to 11AM. The 'Lights On' event is scheduled for 8AM, and the 'Lights Off' event is scheduled for 5PM.

Time	Event
5AM	
6AM	
7AM	
8AM	Lights On
9AM	
10AM	
11AM	
12PM	
1PM	
2PM	
3PM	
4PM	
5PM	Lights Off
6PM	

### Scheduler—Event

A screenshot of the Scheduler—Event view showing the Schedule Creator form. The form has fields for Event Name, Event Type, Offset, Time, Repeat, and Command. The 'Event Name' field is filled with 'Lights Off', the 'Event Type' is 'Weekly', the 'Offset' is 'None', the 'Time' is '17:00', and the 'Repeat' is 'Every Day'. The 'Command' field is empty.

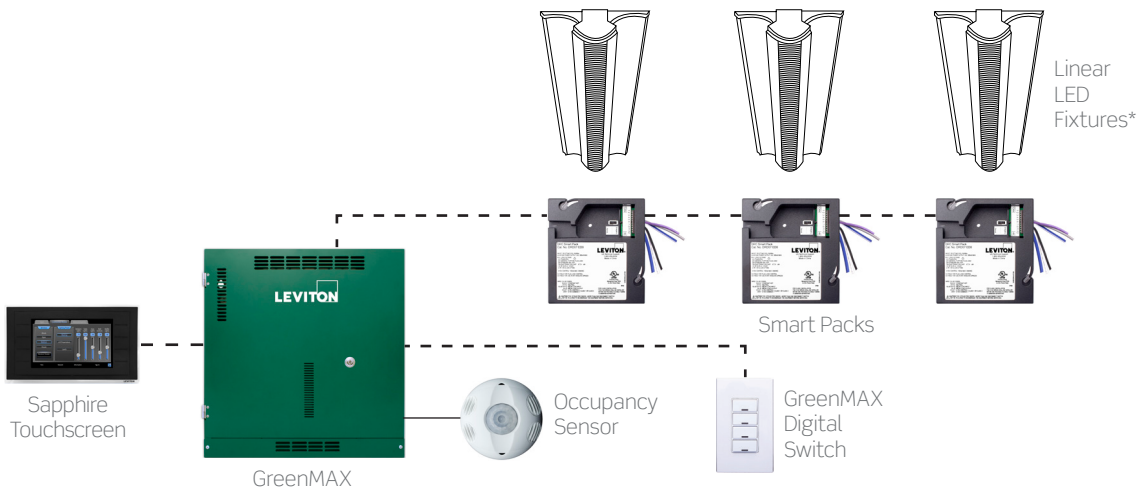
Field	Value
Event Name	Lights Off
Event Type	Weekly
Offset	None
Time	17:00
Repeat	Every Day
Command	

### Scheduler—Holiday

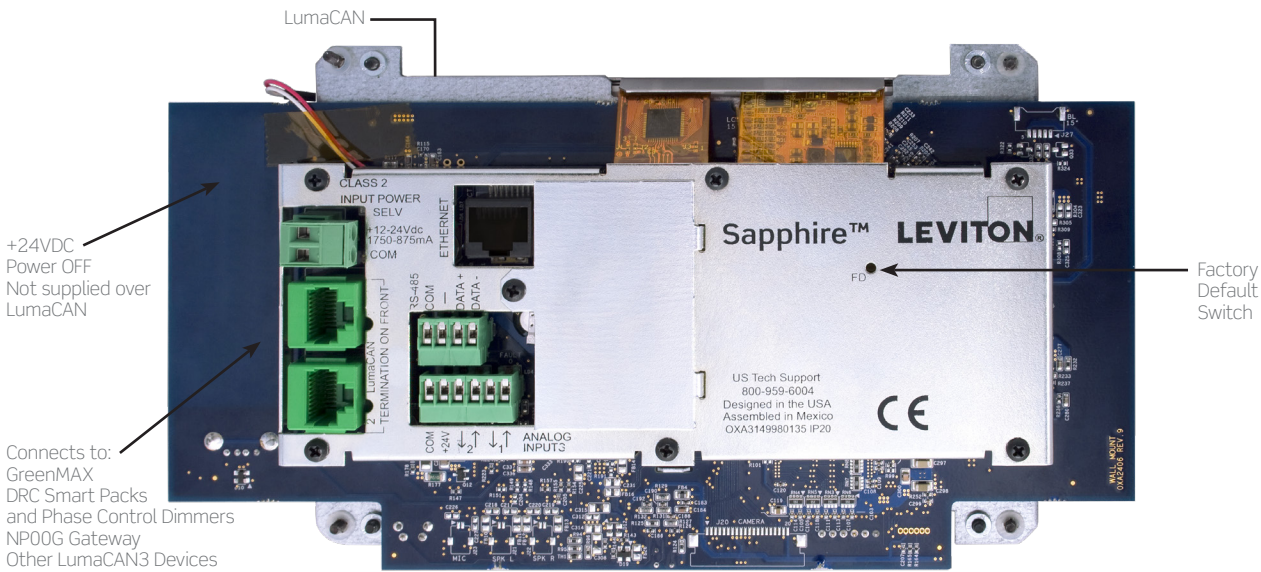
A screenshot of the Scheduler—Holiday view showing a holiday list. The interface has a 'Holiday List' tab and a 'HOLIDAY 1' tab. The list contains the following entries:

Date	Description
December 25	
January 1	
First Tuesday of April	

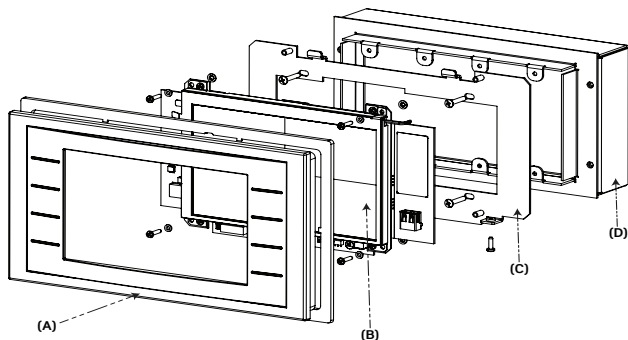
**Wiring Diagram**



**Touch Screen with Connector Annotations—Rear View**

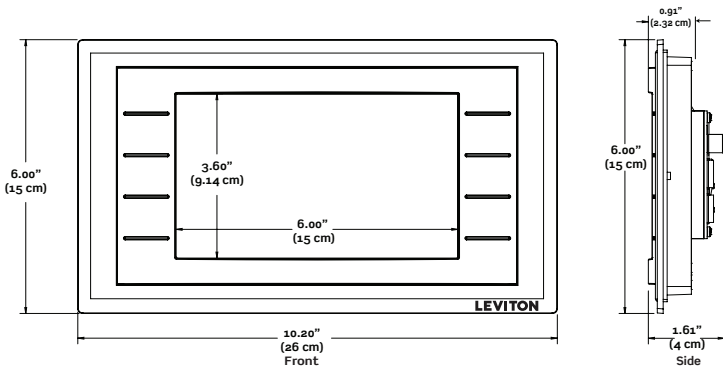


**Installation Diagram**



A	Face plate with trim ring
B	Touch screen electronics
C	Normalizing installation & mounting
D	4-gang box

## Dimensions Diagram



## Specifications

LCD Panel	7" (17.78cm) diagonal, 16.9 form factor ; 800x480 WVGA; 130° x 110° viewing angle; LED backlight; 24 bit color
Power Input Voltage	+12-24VDC, Class 2 SELV; current draw: 325mA+connected device to AI, standby current: 200mA;power supply via terminals or LumaCAN network
Environmental	Operating Temperature Range: 14 to 122°F (5 to 50°C) Storage -Temperature: -4 to 158°F (-20 to 70°C ) Relative Humidity: 0 to 90° non-condensing
Enclosure	Mounting/installation: 4-gang box with a 4-gang raised device cover preferred, 4-gang low voltage rating acceptable, IP30
Listing	CE, NOM, FCC, listed on the DesignLights Consortium® (DLC) Qualified Product List (QPL) when used as part of a GreenMAX DRC System
Warranty	5-year

## Ordering Information

### Sapphire Room Controller

Cat. No.	Description
TS007-000	7" Touch Screen, capacitive interface, no faceplate included
TS007-C0E	7" Touch Screen, Color Change Kit, Black Faceplate
TS007-C0T	7" Touch Screen, Color Change Kit, Light Almond Faceplate
TS007C0W	7" Touch Screen, Color Change Kit, White Faceplate
TS007-LCE	7" Touch Screen Locking Cover, Black
BBG04-000	4-Gang Box
WPG04-DR0	4-Gang raised device ring for use with BBG04-000
PST24-I10	+24VDC, 1A, 30W 100-277VAC Input DIN Rail Power Supply. UL, cUL & CE listed, terminals on input and output
DRC00-0D0	In-line Power Supply

### Leviton Manufacturing Co., Inc. Lighting & Controls

10385 SW Avery Street, Tualatin, OR 97062 **tel** 800-736-6682 **tech line** (6:00AM-4:00PM PT Mon-Fri) 800-959-6004

### Leviton Manufacturing Co., Inc. Global Headquarters

201 North Service Road, Melville, NY 11747-3138 **tel** 800-323-8920 **tech line** (8:00AM-10:00PM ET Mon-Fri, 9:00AM-7:00PM ET Sat, 9:00AM-5:00PM ET Sun) 800-824-3005

Visit our Website at: [www.leviton.com/sapphire](http://www.leviton.com/sapphire)

©2024 Leviton Manufacturing Co., Inc. All rights reserved. Subject to change without notice.

G-10202D/F24-mm  
REV JUN 2024