

OneReach™ Power Injection Device

1-port Source, 10/100/1000BASE-T, RJ45, 1000BASE-SX, LC Duplex, MMF, 56/56 VDC In/Out, Ext AC Power, NA Plug

APPLICATION

The OneReach Power Injection Device provides the power to run the OneReach system and transmits the data signals to previously unreachable distances.



DESCRIPTION

The single port Power Injection Device is part of a system designed to support PoE at distances far in excess of the 100 m (328 ft) limit of copper cabling alone.

The single port MM Power Injection device performs two functions:

1. Converts 10/100/1000BASE-T copper Ethernet to 1000BASE-SX.
2. Launches power onto a composite cable assembly to power a OneReach 1-port Remote.

BENEFITS

- Simplifies device management
- Enables UPS consolidation
- Uses simple screw terminal connections
- Provides 56 VDC power to Remote PoE Port device
- Invisibility connected to the network with the closet's switch; no PoE switch required

STANDARDS & REGULATIONS

- EN 50173
- ISO/IEC 11801
- IEC 61000 4-5 Surge Immunity - Level 4
- IEEE 802.3 10/100/1000BASE-T, 1000BASE-X
- Telcordia GR-468-CORE
- c(UL)us Listed
- IEC/UL 60950-1
- FCC Part 15 Subpart B EMC

MECHANICAL SPECIFICATIONS

Weight: Approximate net weight 2 lb (0.9 kg)

Materials: ABS Polymer and plated steel

Dimensions: 1.70 inches (43.3 mm) x 1.74 inches (44.2 mm) x 6.34 inches (161 mm)

Temp. (Storage): -20 °C to +70 °C (-4 °F to +158 °F)

Temp. (Operating): 0 °C to +40 °C (+32 °F to +104 °F)

Altitude (Operating): -300 ft to 10,000 ft (-91.4 m to 3,048 m)

Humidity (Max.): 90% relative humidity, non-condensing

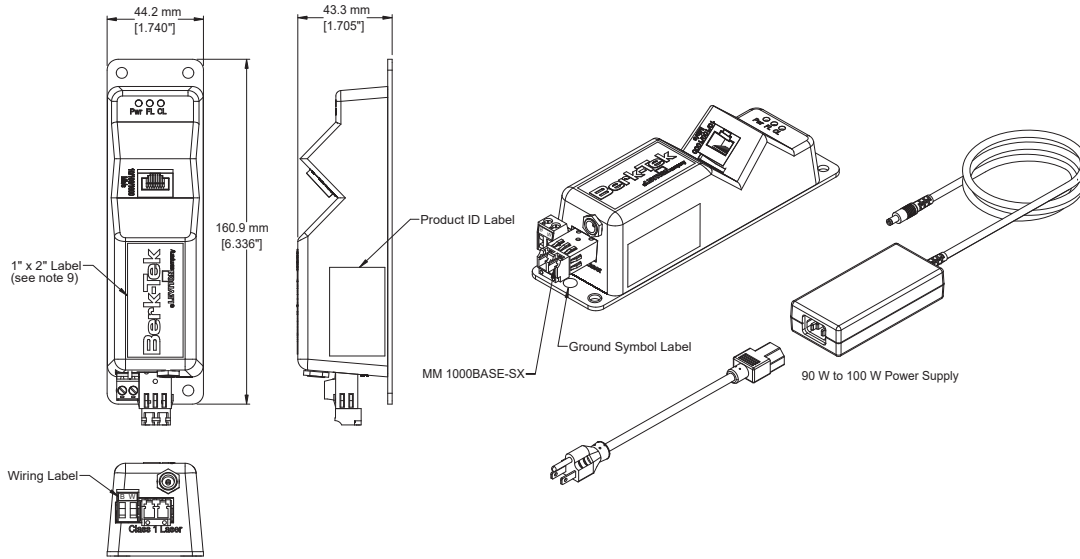
WARRANTY INFORMATION

For Leviton product warranties, go to leviton.com/ns/warranty

81001514

PRODUCT SPECIFICATIONS
81001514

81001514



CHARACTERISTICS

Construction

Color	Black
Connector Type	LC Duplex

Mechanical

Speed*	10/100/1000 Mbps
--------	------------------

*Support for 10/100/1000BASE-T copper structured cabling communications and 1000BASE-SX multimode fiber cabling communication

ONEREACH™ POWER INJECTION DEVICE

Description	Part No.
1-port Source, MMF	81001514

For further support information, visit leviton.com/ns/support

Page 2 of 2

USA
Network Solutions Headquarters
+1 (800) 722 2082
infoUSA@leviton.com

Leviton Berk-Tek Cable: +1 (800) 237 5835
berktek.info@leviton.com

Asia Pacific
+852 3620 2602
infoAPAC@leviton.com

Canada
+1 (800) 461 2002
infoCanada@leviton.com

Europe
+44 (0) 1592 772124
infoEurope@leviton.com

Latin America
MX: +52 (55) 2128 6286
LATAM: +52 (55) 2333 5963
infoLATAM@leviton.com

Middle East & Africa
+971 (4) 247 9800
infoMEA@leviton.com

NETWORK SOLUTIONS PRODUCTS ARE AVAILABLE WORLDWIDE IN OVER 100 COUNTRIES. VISIT US ONLINE AT LEVITON.COM/NS TO LEARN MORE.