

## OneReach™ Power Injection Device

1-port Source, 10/100/1000BASE-T, RJ45, 1000BASE-LX, LC Duplex, SMF, 56/56 VDC in/out, Ext AC Power, NA Plug

### APPLICATION

The OneReach Power Injection Device provides the power to run the OneReach system and transmits the data signals to previously unreachable distances.



### SPECIFICATION

The single port Power Injection Device is part of a system designed to support PoE at distances far in excess of the 100 m (328 ft) limit of copper cabling alone.

The single port SM Power Injection device performs two functions:

1. Converts 10/100/1000 copper Ethernet to 1000BASE-LX.
2. Launches power onto a hybrid cable assembly to power a OneReach single port Remote.

### FEATURES

- Simplifies device management
- Enables UPS consolidation
- Uses simple screw terminal connections
- Provides 56 VDC power to Remote PoE Port device
- Invisibility connected to the network with the closet's switch; no PoE switch required

### STANDARDS & REGULATIONS

- EN 50173
- ISO/IEC 11801
- IEC 61000 4-5 Surge Immunity - Level 4
- IEEE 802.3 10/100/1000BASE-T, 1000BASE-X
- Telcordia GR-468-CORE
- c(UL)us Listed
- IEC/UL 60950-1
- FCC Part 15 Subpart B EMC

### MECHANICAL SPECIFICATIONS

Weight: Approximate net weight 2 lbs (0.9 kg)

Materials: ABS Polymer and plated steel

Dimensions: 1.70 in (43.3 mm) x 1.74 in (44.2 mm)  
x 6.34 in (161 mm)

Temp. (Storage): -20 °C to +70 °C (-4 °F to +158 °F)

Temp. (Operating): 0 °C to +40 °C (+32 °F to +104 °F)

Altitude (Operating): -300 ft to 10,000 ft (-91.4 m to 3,048 m)

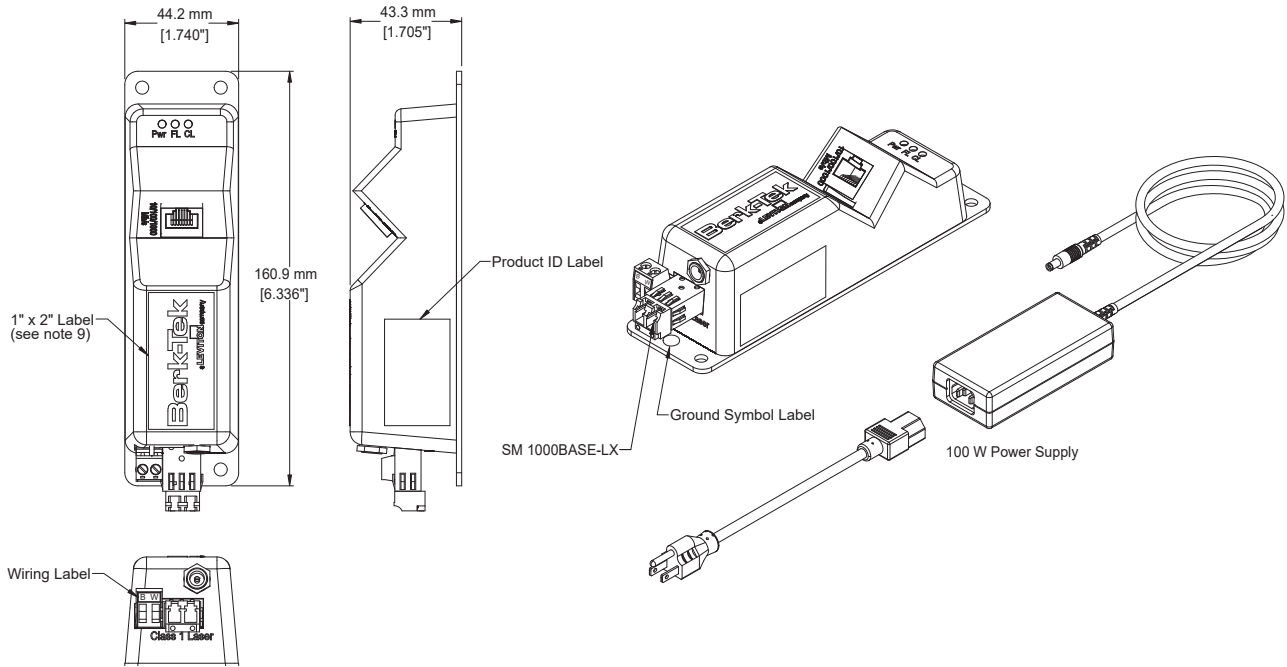
Humidity (Max.): 90% relative humidity, non-condensing

### WARRANTY INFORMATION

For Leviton product warranties, go to [leviton.com/ns/warranty](http://leviton.com/ns/warranty)

**PRODUCT SPECIFICATIONS**  
**81001515**

81001515



**CHARACTERISTICS**

**Construction**

Color	Black
Connector Type	LC Duplex

**Mechanical**

Speed*	10/100/1000 Mbps
--------	------------------

\*Support for 10/100/1000BASE-T copper structured cabling communications and 1000BASE-LX multimode fiber cabling communication

**ONEREACH™ POWER INJECTION DEVICE**

Description	Part No.
1-port Source, SMF	81001515

For further support information, visit [leviton.com/ns/support](http://leviton.com/ns/support)