

OneReach™ Remote PoE Port

Remote, 4-port, 10/100/1000BASE-T, 1000BASE-SX, PoE++, 4 x LC duplex, MMF, RJ-45, 56 VDC in M8 Power Input

APPLICATION

The 4-port Remote PoE Port is part of the OneReach system, designed to support PoE at distances far in excess of the 100 meter (328 ft) limit of copper cabling alone. The device mounts in NEMA-rated enclosures and connects to active devices using category-rated cables terminated with standard RJ-45 connectors.



DESCRIPTION

The 4-port Remote PoE Port performs two functions:

1. Converts 1000BASE-SX fiber Ethernet to 10/100/1000BASE-T copper Ethernet.
2. Provides IEEE 802.3 compliant Power over Ethernet (up to Type 4, Class 8) to up to four network powered devices, each up to 100 meters (328 ft) away.

BENEFITS

- No need to install costly remote power outlets
- No need to install remote industrial switches
- Easily attach pre-terminated LC connectors for data transmission
- Standard M8 connector screws into place to complete DC power circuit
- Uses standard RJ-45 connectivity to patch to the security camera, wireless access point, or any other IP-based device
- Allows common pathway for fiber backbone and Class 2 power supply
- Supports four PoE or PoE+ devices; two PoE++ (60 W) and two PoE or PoE+ devices; or two PoE++ (100 W) and two data devices

STANDARDS & REGULATIONS

- EN 50173
- ISO/IEC 11801
- IEC 61000 4-5 Surge Immunity - Level 4
- IEEE 802.3 10/100/1000BASE-T, 1000BASE-X
- IEEE 802.3 Power over Ethernet, up to Type 4, Class 8
- Telcordia GR-468-CORE
- c(UL)us Listed
- IEC/UL 60950-1
- FCC Part 15 Subpart B EMC

MECHANICAL SPECIFICATIONS

Weight: Approximate net weight 4 lb (1.8 kb)
Materials: ABS Polymer and plated steel
Dimensions: 3.30 in (83.0 mm) x 2.33 in (59.0 mm)
x 10.1 in (256 mm)

Temp. (Storage): -40 °C to +70 °C (-40 °F to +158 °F)
Temp. (Operating): -40 °C to +85 °C (-40 °F to +185 °F)
Altitude (Operating): -300 ft to 10,000 ft (-91.4 m to 3,048 m)
Humidity (Max.): 90% relative humidity, non-condensing

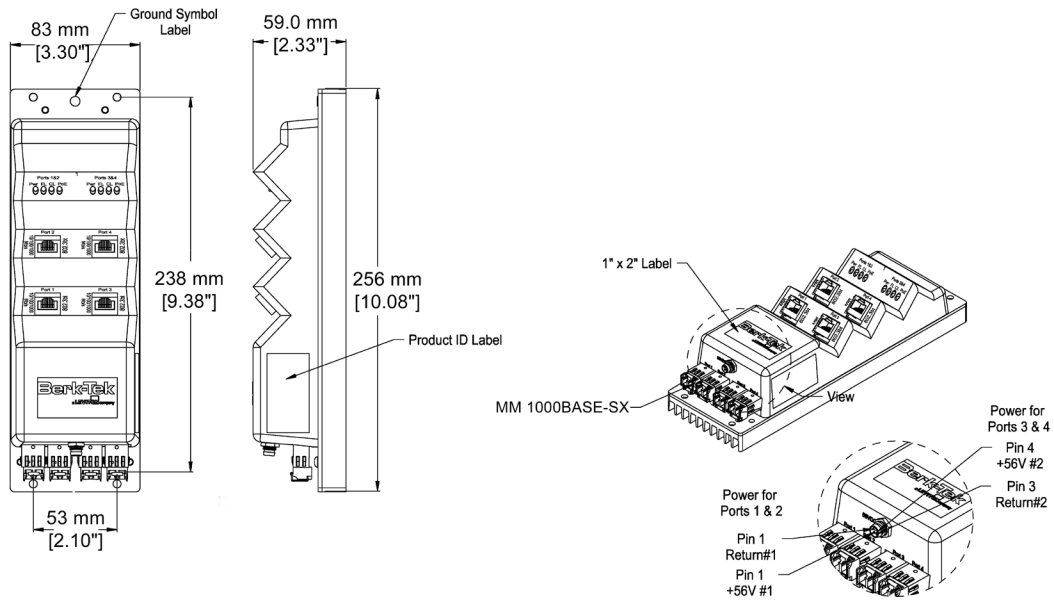
WARRANTY INFORMATION

For Leviton product warranties, go to leviton.com/ns/warranty

81001532

PRODUCT SPECIFICATIONS
81001532

81001532



CHARACTERISTICS

Construction

Color	Black
Connector type	LC Duplex & M8
Fiber optic type	Multimode
Number of ports	4

Mechanical

Speed*	10/100/1000 Mbps for copper ports 1000 Mbps for fiber port
--------	---

*Support for 10/100/1000BASE-T copper structured cabling communications and 1000BASE-SX multimode fiber cabling communication

ONEREACH™ REMOTE POE PORT

Description	Part No.
4-port Remote, MMF	81001532

For further support information, visit leviton.com/ns/support