

1-, 2-, and 3-Port German-Style Snap-in-Jack Module

Datasheet: GD100341v9



APPLICATION

Leviton supplies a comprehensive range of plastic accessories to provide outlet solutions for wall and trunking applications. The 50x50mm German-Style Snap-in-Jack modules are available in 1-, 2-, or 3-Port configurations, offering flexibility and maximum density in the lowest possible footprint.

FEATURES

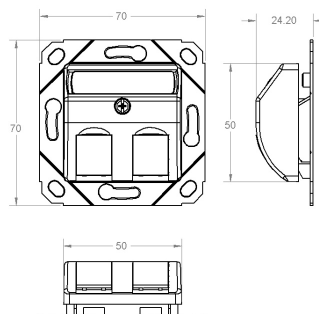
- Single, double, and triple port configurations
- Jacks located within metal mounting frame
- Ports protected with hinged door dust caps
- Port identification label compartment
- Optional earthing point within the metal mounting frame
- Design protects proper cable bend radius for secure performance
- Snap-in-jacks fit in a 60-degree angle position



ORDER INFO

Part Number	Item Description	Color	Weight per Item (nom)	Qty per Pack	Jack Compatibility
MMCANGDK1453	1-Port 50 x 50 mm German-Style Snap-in-Jack Module	White	50g	5	Fits all jacks
MMCANGDK2453	2-Port 50 x 50 mm German-Style Snap-in-Jack Module	White	50g	5	Fits all jacks
MMCANGDK3453	3-Port 50 x 50 mm German-Style Snap-in-Jack Module	White	50g	5	Fits with C6CJAKS000DC AC6JAKS000DC only

PHYSICAL CHARACTERISTICS



1-, 2-, and 3-Port German-Style Snap-in-Jack Module

Datasheet: GD100341v9



MATERIALS

- Zinc Alloy Frame
- Flame retardant ABS
- Packaging fully recyclable card
- RoHS compatible

ENVIRONMENTAL CONDITIONS

- Operating temperature from -10°C to 60°C at 93% relative humidity, non-condensing
- Storage temperature from -40°C to 70°C

*"Leviton is **dedicated to designing, developing, and manufacturing sustainable high-performance structured cabling and specialty cabling solutions.**"*

The information contained in this document is valid and correct at the time of issue. Leviton reserves the right to modify details without notice in light of subsequent standard/specification changes and ongoing technical developments.