

Cat6Plus Category 6 UTP Tool-Free Jack

Datasheet: GD070640v12



APPLICATION

The Cat6Plus UTP Tool-Free Snap-in Jack is part of the Cat6Plus cabling system. The Cat6Plus cabling system is comprised of high-performance cables and connectivity, providing a reliable platform for today's high speed network applications. The Cat6Plus system is verified as a Category 6 and Class E solution set that is fully backwards compatible to with Cat 5e (Class D) products. The jack is fully compatible with all Leviton UK and Continental style faceplates and patch panel products.

FEATURES

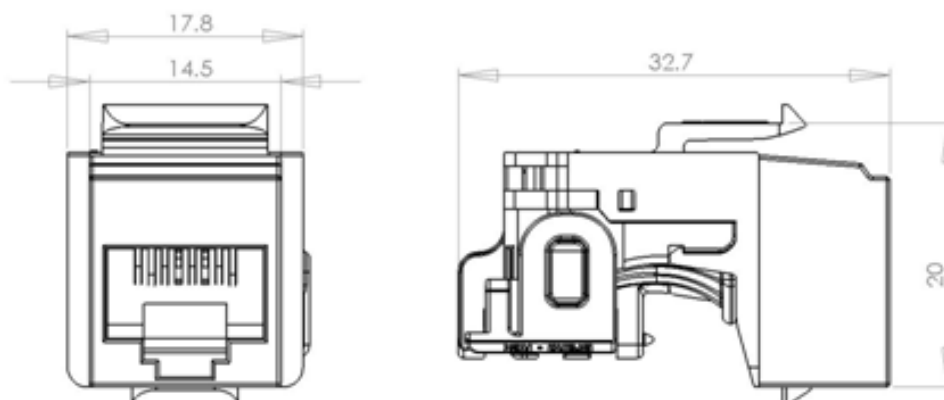
- Rear, top, or side entry cable configuration for maximum flexibility
- Tool-free design requires no specialized termination tool
- Patented contact array providing standards compliance electrical performance
- Low contact insertion force guaranteeing tool-free termination.
- Compact Design:
 - 17.8mm width
 - 32.7mm depth
- Color coded contact array clearly distinguishes high-performance 10GPlus and Cat6Plus jacks



ORDER INFO

Part Number	Item Description	Color	Weight per Item (nom)	Qty per Pack
C6JAKU002	Cat6Plus Cat 6 UTP Tool-Free Snap-In Jack	Gray	15g	12

PHYSICAL CHARACTERISTICS



Cat6Plus Category 6 UTP Tool-Free Jack

Datasheet: GD070640v12



APPLICABLE PRODUCT STANDARDS

- ISO/IEC category 6 performance connector for use in Class E cabling systems
- ISO/IEC 11801-1 (Cat 6)
- EN 50173-1 (Cat 6)
- ANSI/TIA-568.2-D (Cat 6)
- IEC 60603-7, 7-1, 7-41
- Recommended for PoE standards: IEEE 802.3af, 802.3at, 802.3bt (Type 3), and Cisco UPoE up to 60 watts

ENVIRONMENTAL CONDITIONS

- Operating temperature from -10°C to 60°C at 93% relative humidity, non-condensing
- Storage temperature from -40°C to 70°C

ELECTRICAL CHARACTERISTICS

- Voltage Proof: 1500V dc/ac peak
- Current-temperature derating: compliant with IEC 60603-7
- Contact Resistance: <20mΩ
- Insulation Resistance: >500MΩ
- Coupling attenuation: >61dB

MECHANICAL SPECIFICATION

- IDC Contacts: Accept solid wires 24-22AWG
- Apertures: The product fits into 14.9mm x 19.8mm (WxH) cut outs with 1.5mm-1.6mm plate thickness.
- Repeat plug insertions: >750 mating cycles with an IEC 60603-7 compliant plug
Product tested to 2500 insertion cycles
- Wiring: T568 A and B wiring types
- Contact Pins: Phosphor Bronze, Nickel Plated with selective gold plating (50micro-inch min) over contact area
- Note that each product pack contains termination instructions

REGULATIONS & COMPLIANCE

- RoHS 2011/65/EU Compliant

*“Leviton is **dedicated to designing, developing, and manufacturing** sustainable **high performance structured cabling and specialty cabling solutions.**”*

The information contained in this document is valid and correct at the time of issue. Leviton reserves the right to modify details without notice in light of subsequent standard/specification changes and ongoing technical developments.