

EU Faceplate and Backbox

Datasheet: GD064627v4

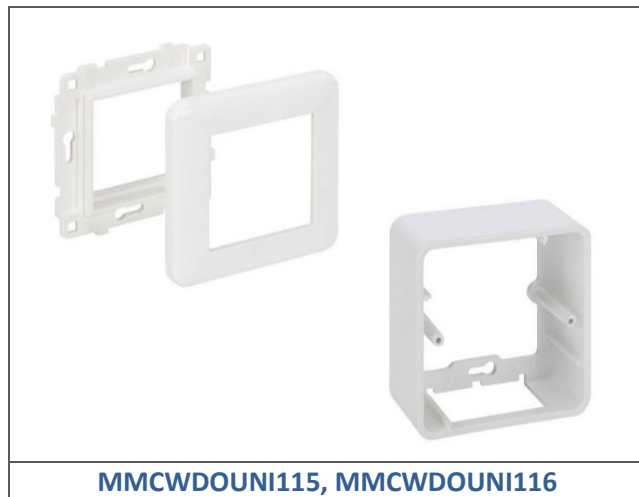


APPLICATION

The Leviton EU style faceplate and backbox have been designed to be compatible with the Leviton 45x45mm shuttered module ranges. Ideal design for where tight backbox depth is critical.

FEATURES

- EU style rounded corner design
- Concealed faceplate mounting screws
- 45x45mm module range compatible
- Robust ABS construction
- Mounting hole pitch - 60mm
- Back box internal depth - 32mm

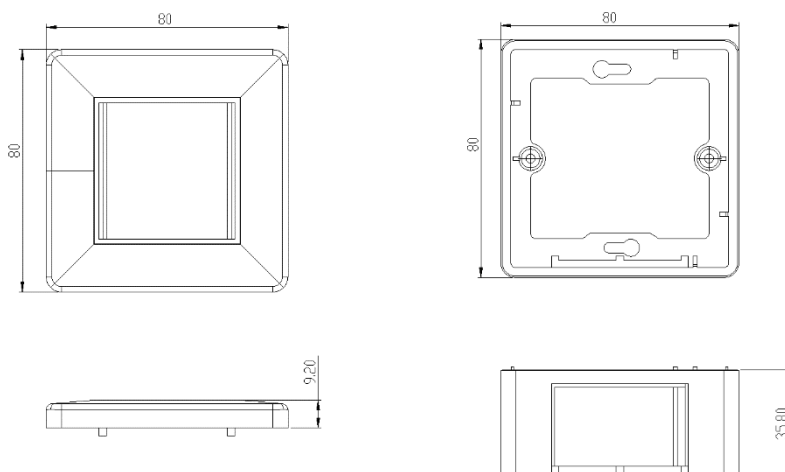


MMCWDOUNI115, MMCWDOUNI116

ORDER INFO

Part Number	Item Description	Color	Qty per Pack (Individual)	Qty per Pack (Bulk)
MMCWDOUNI115	80x80mm EU Style Faceplate	White	20	100
MMCWDOUNI116	80x80x35mm EU Style Backbox	White	10	100

PHYSICAL CHARACTERISTICS



*“Leviton is **dedicated to designing, developing, and manufacturing sustainable high-performance structured cabling and speciality cabling solutions.**”*

The information contained in this document is valid and correct at the time of issue. Leviton reserves the right to modify details without notice in light of subsequent standard/specification changes and ongoing technical developments.